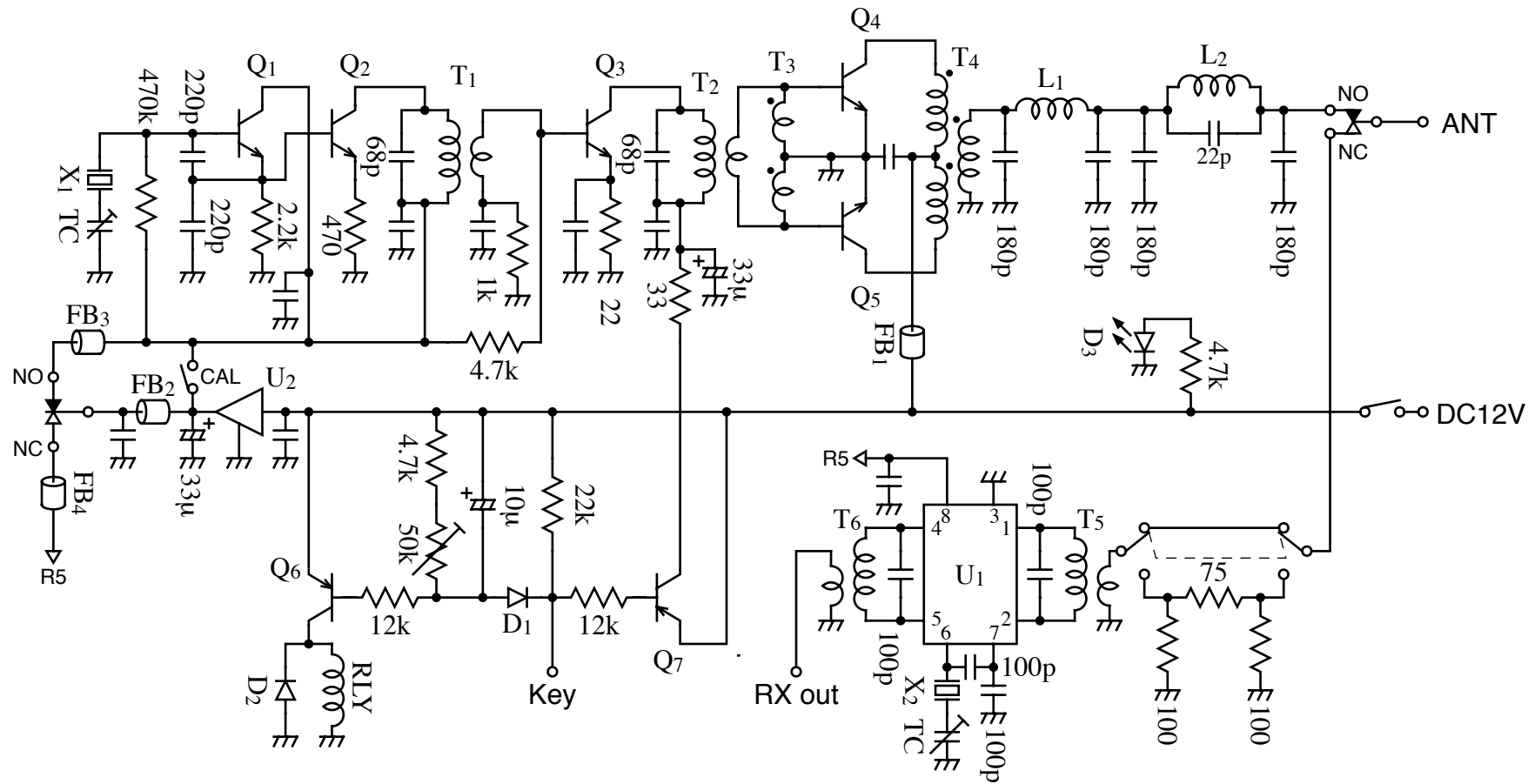


18T135pp "AinSebaa17"



Q1~3: 2SC1815GR, BC547B, etc. (general purpose NPN)

Q4, 5: BD135

Q6, 7: 2SA1015GR, BC557, etc. (general purpose PNP)

U1: SA612AN

U2: 78L05, etc.

D1, 2: 1S1588, 1N4148, etc. (small signal Si diode)

D3: LED

X1: 18.100MHz, HC-49/U

X2: 10.000MHz, HC-49/US

RLY: OMRON G6S-2-Y 12VDC (DPDT relay)

T1, 2: FCZ 07S25 (1.14µH, 3:1 ratio)

T3: FB-801, bifilar, 2turns

T4: FT-37-43, trifilar, 5turns

T5: 7K bobbin w/ green core, 8turns(0.773µH):1turn

T6: FCZ 07S09 (3.96µH, 3:1 ratio)

L1: T-37-6, 12turns (0.432µH)

L2: T-37-6, 11turns (0.363µH)

FB1~4: FB-801-43

TC: 50pF max., NP0

Capacitors not specified: 0.1µF